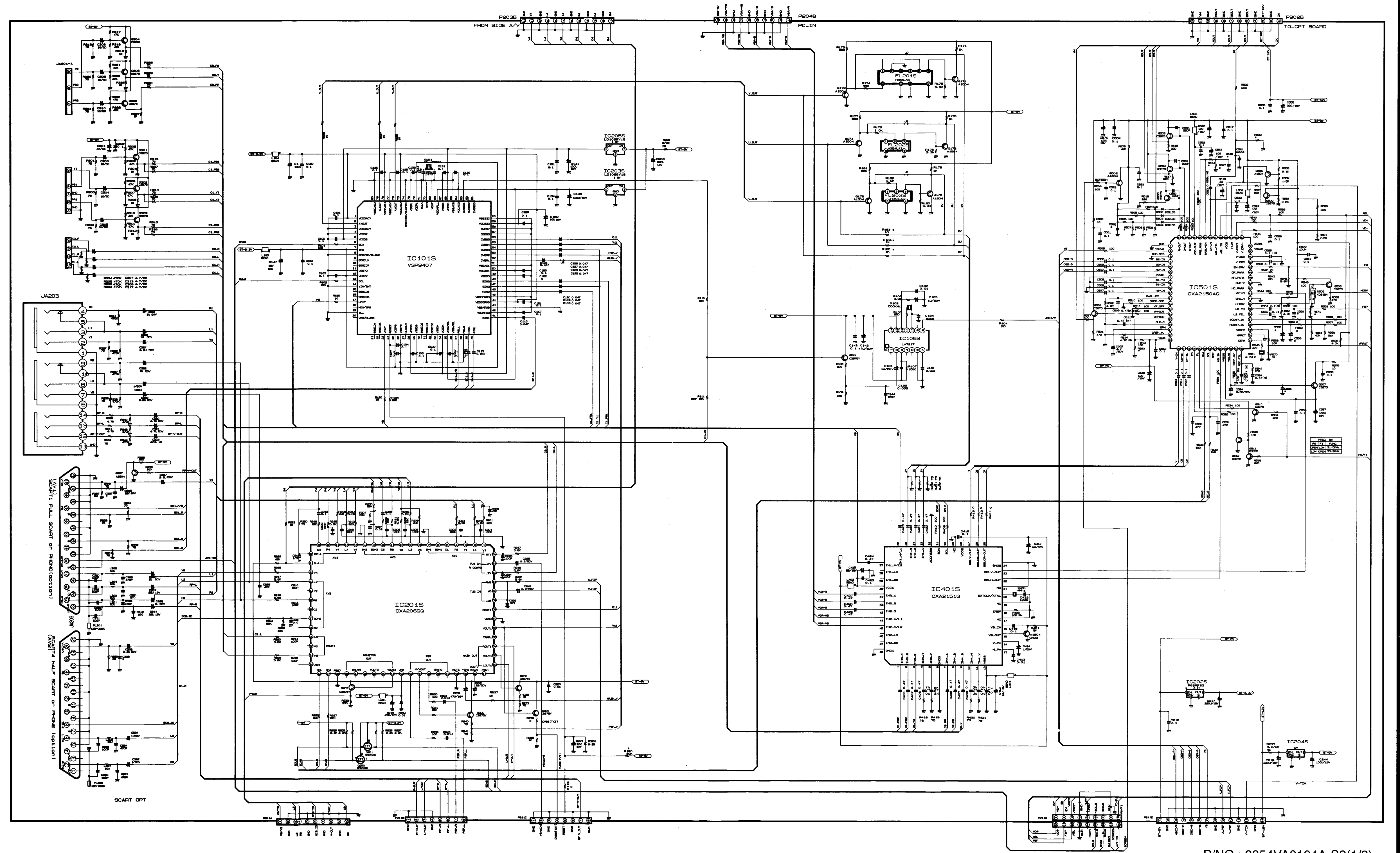


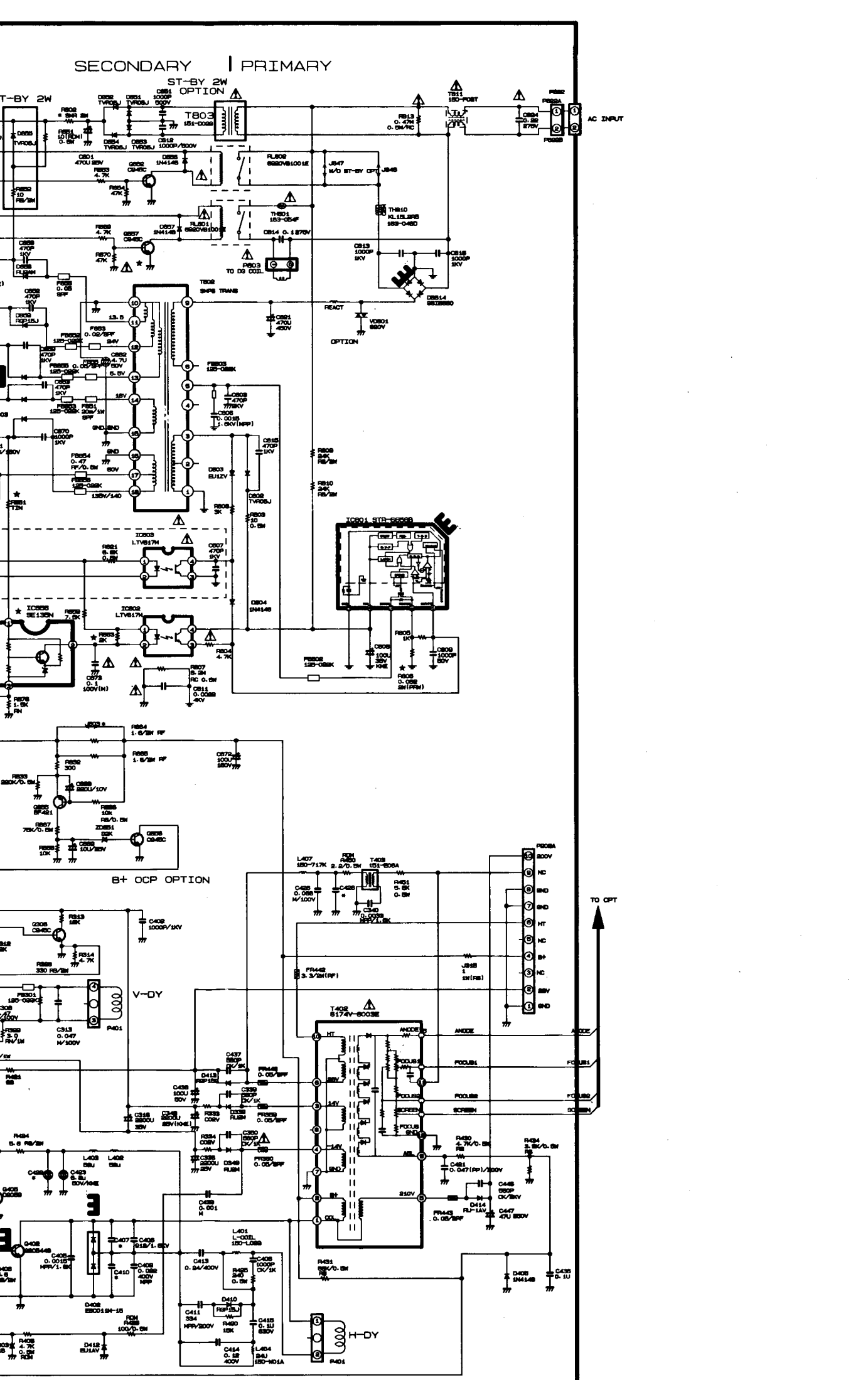
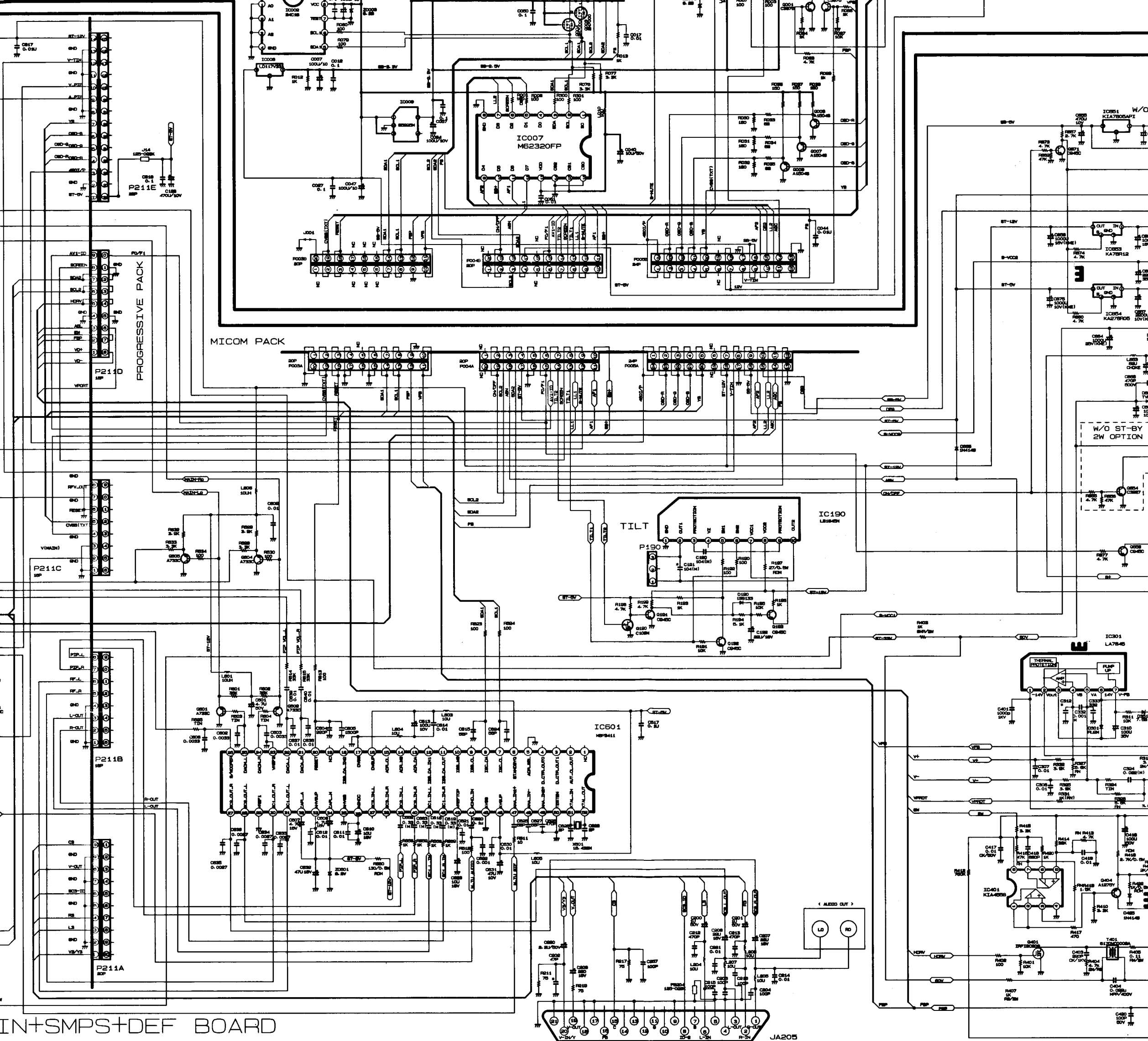
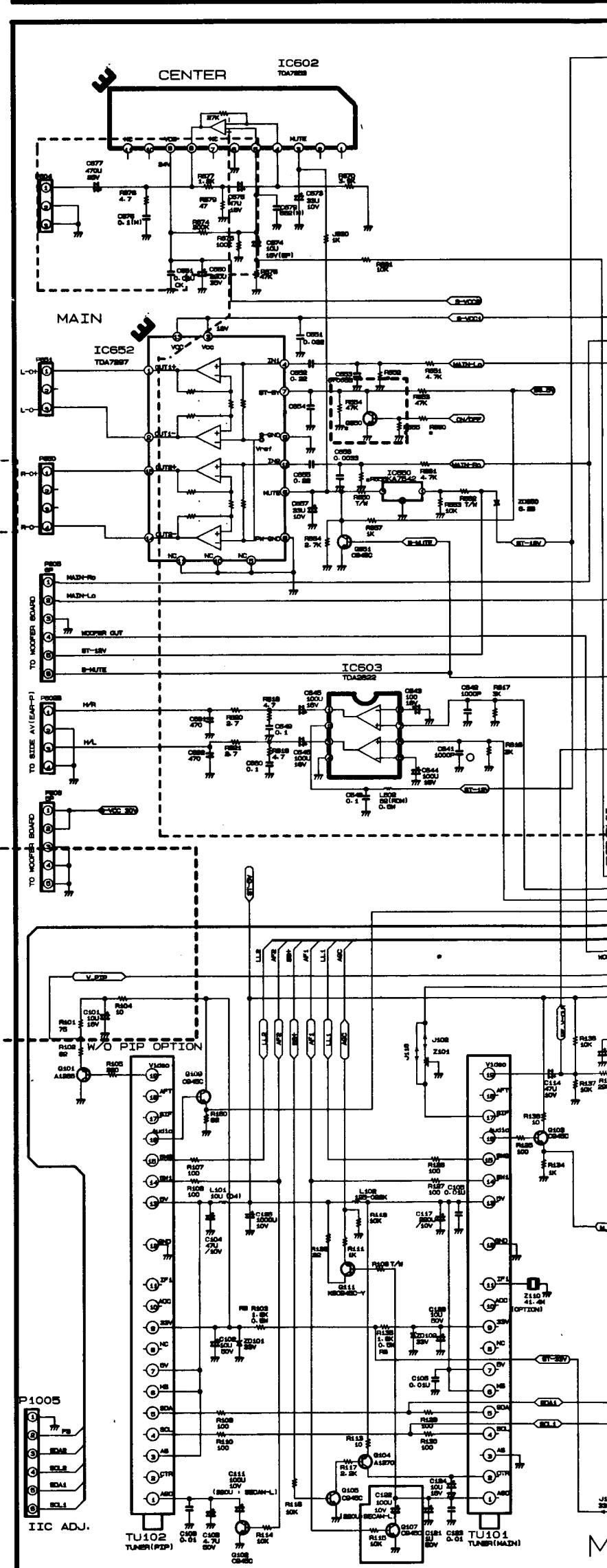
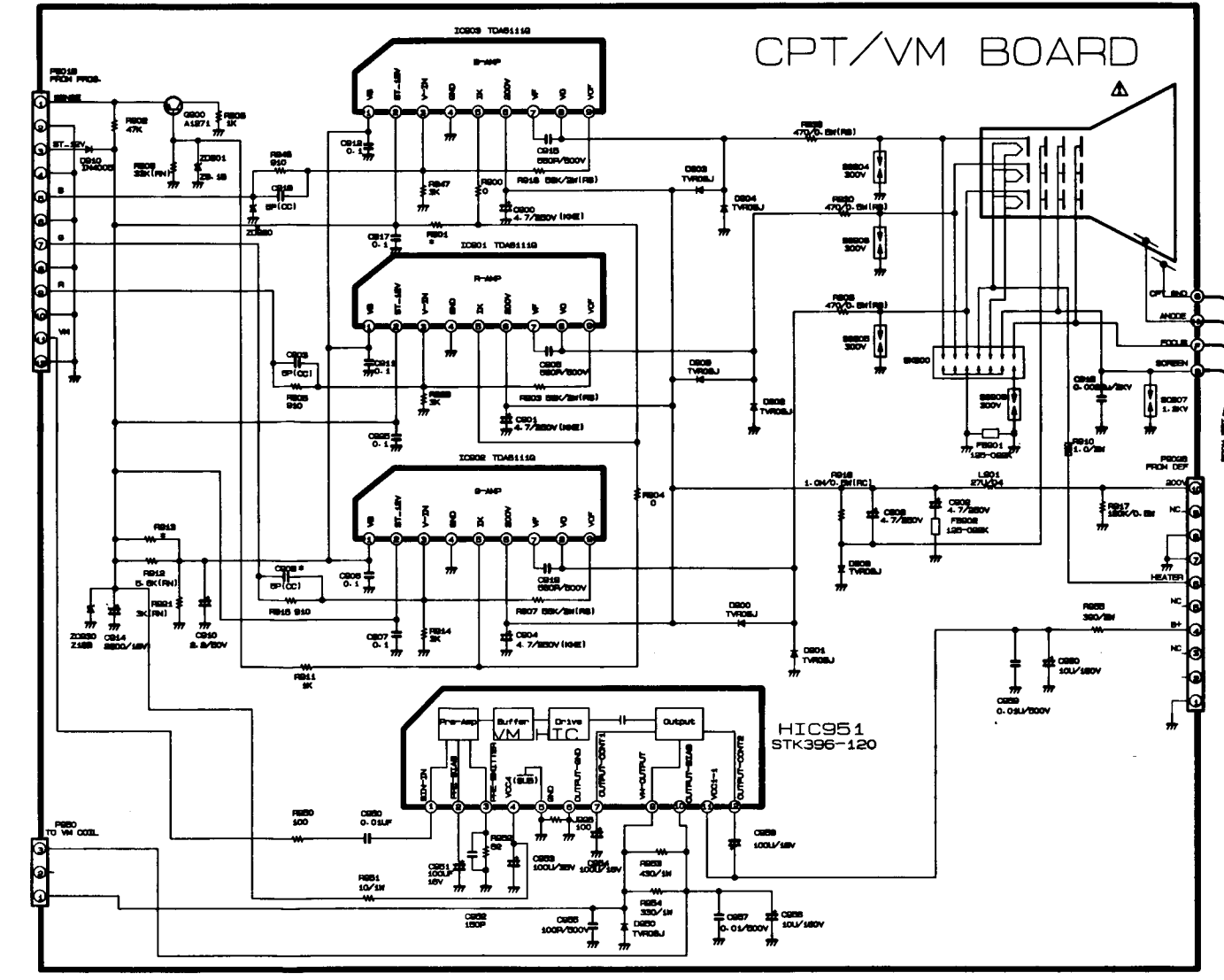
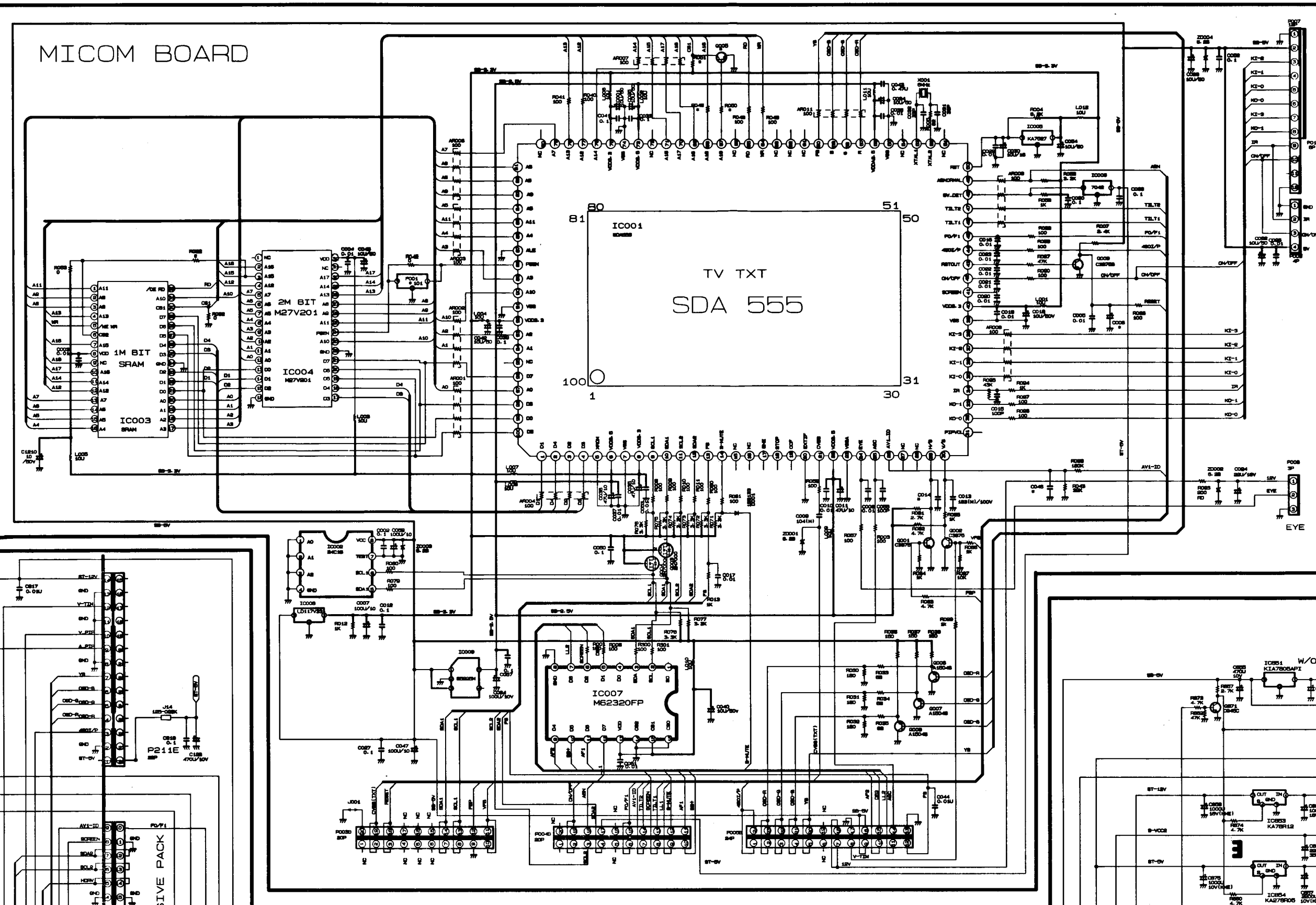
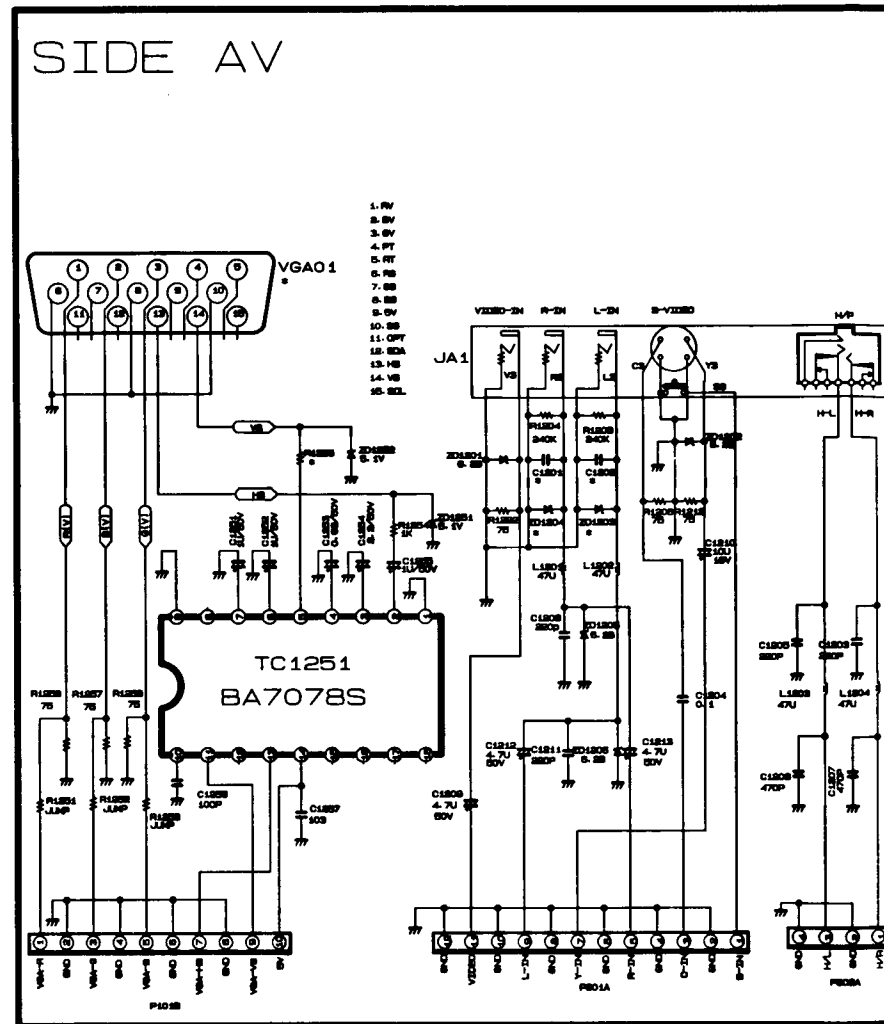
# CIRCUIT DIAGRAM FOR MC021A CHASSIS



P/NO : 3854VA0104A-S2(1/2)  
DATE : 2002.07.25



# CIRCUIT DIAGRAM FOR MC021A CHASSIS



WITH PLATE

P/NO : 3854VA0104A-S1(1/2)  
DATE : 2002.07.25