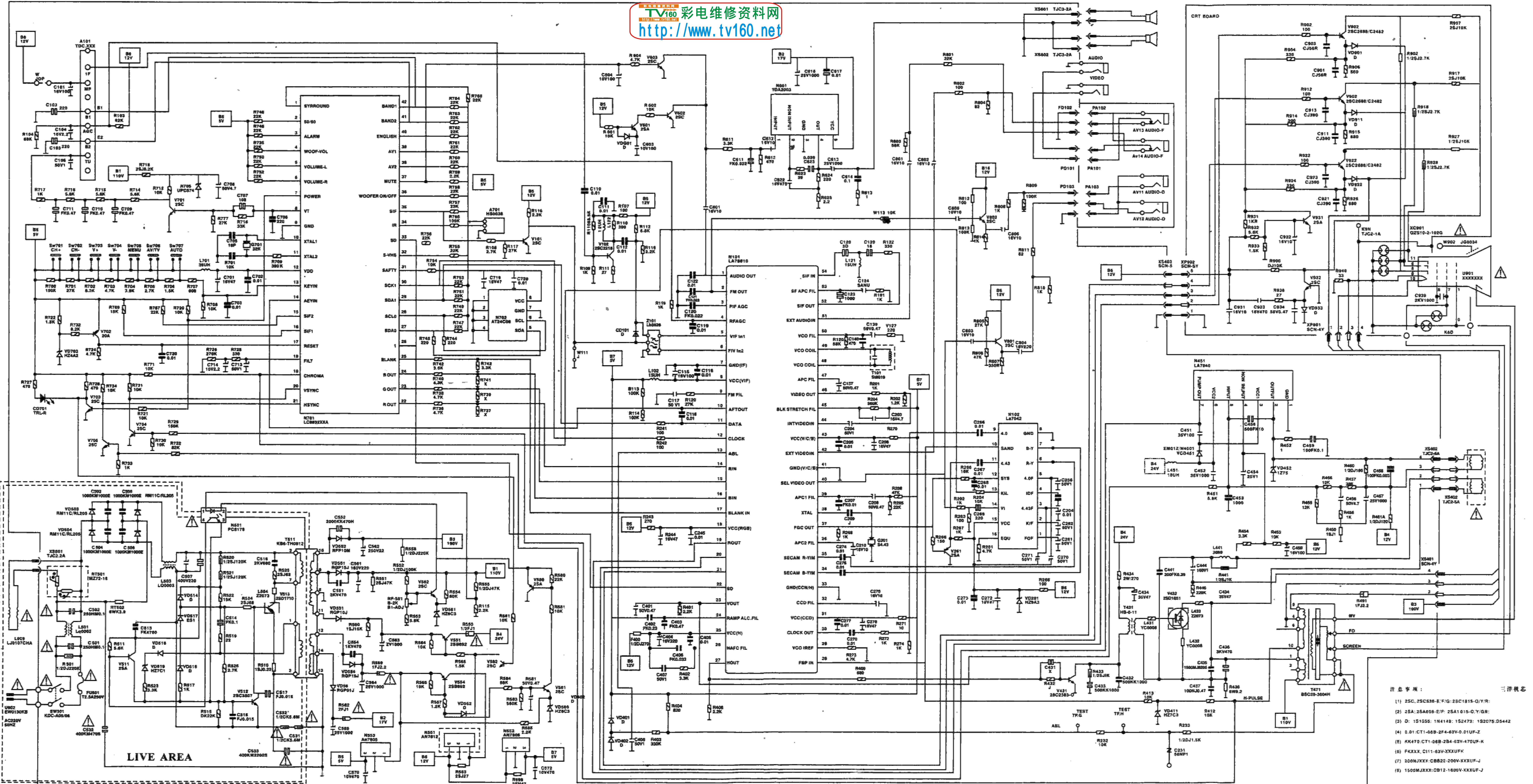


彩色电视机电路电原理图 PAL/NTSC/ (SECAM) -D/K1/B/G/M

TV160 彩电维修资料网
http://www.tv160.net



- 注意事项:
- (1) 25C, 25C88-E/F/G: 28C1815-Q/Y/R;
 - (2) 25A: 25A608-E/F; 25A1015-Q/Y/G/R;
 - (3) D: 151558; 1N4148; 152473; 152075-DS442
 - (4) 0.01: CT1-08B-2F4-63V-0-D1UF-Z
 - (5) KK470; CT1-08B-2F4-63V-470UF-K
 - (6) FKXX; C111-63V-XXUFK
 - (7) 300KJXX; CB22-200V-XXUF-J
 - (8) 1500JXX; CB12-1600V-XXUF-J

本原理图仅供参考, 如有更改恕不另行通知!