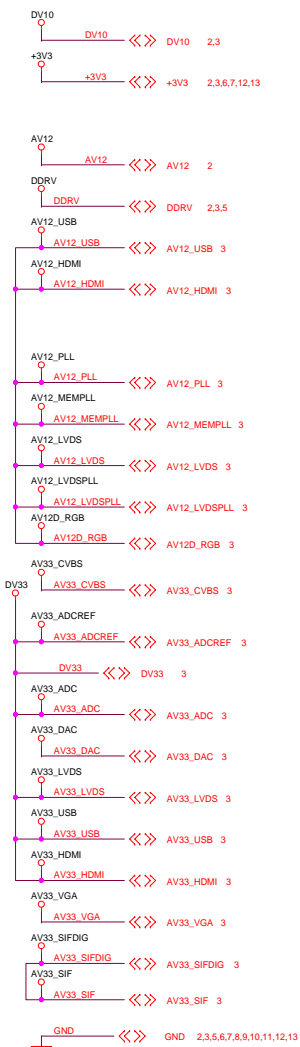
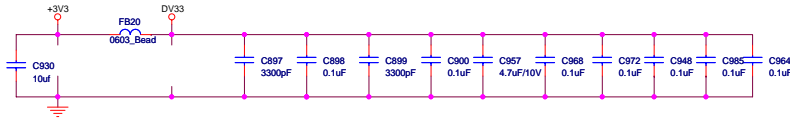
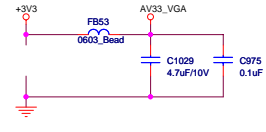
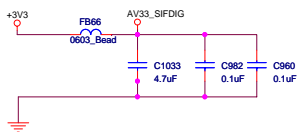
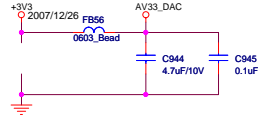
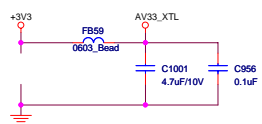
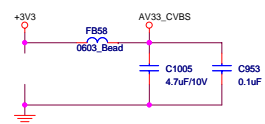
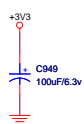
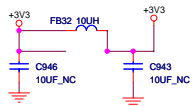
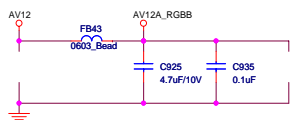
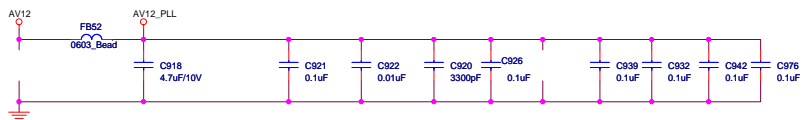
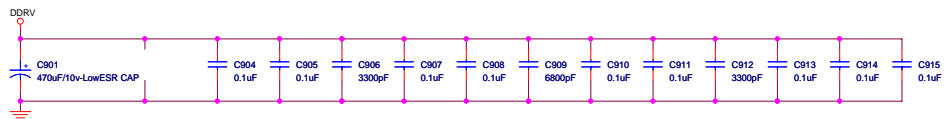
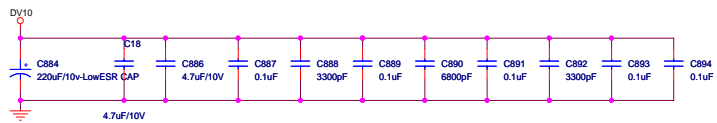


MediaTek Confidential
MediaTek (ShenZhen) Inc.
MT8222
Document Number: MT8222
Date: 2008/1/25
Drawn: Jiu.Ni
Sheet: 3 of 13

# ( Bypass CAPs around MT8222 )

更多彩电维修资料请到 <http://www.tv160.net> 《彩电维修资料网》查询吧!

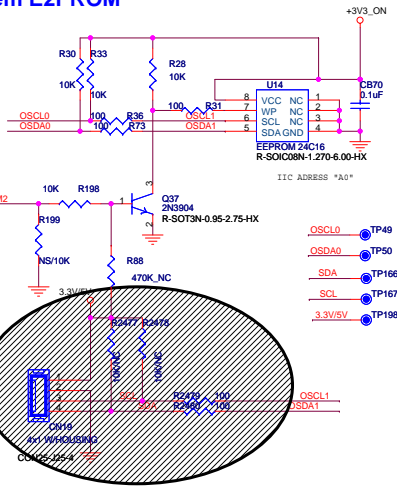


MediaTek Confidential

		<b>MediaTek (ShenZhen) Inc.</b>	
		Title: MT8222 Bypass CAPs	Rev: 1
Size: C	Document Number: MT8222	Drawn: J.L.N.	Date: 2008/1/26
		Sheet: 4	of: 13

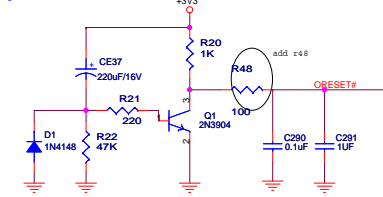


### System E2PROM

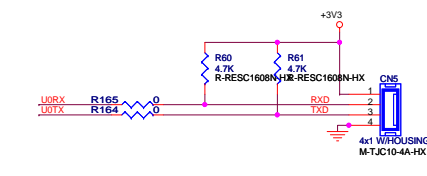


- OSCL0 TP49
- OSDA0 TP50
- SDA TP166
- SCL TP167
- 3.3V/5V TP198

### System Reset#

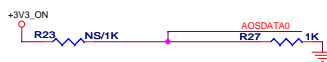


### 1st UART IF ( For Code download and Debug )

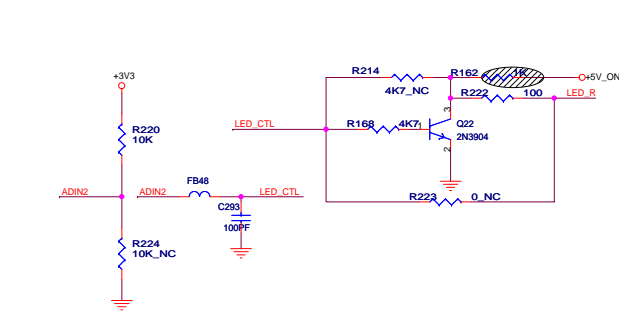


- PWM2 PWM2 3
- ORESET# ORESET# 3
- RXD RXD 3
- TXD TXD 3
- U0RX U0RX 3
- U0TX U0TX 3
- U1RX U1RX 3
- U1TX U1TX 3
- OSCL0 OSCL0 3,8,10,13
- OSDA0 OSDA0 3,8,10,13
- PSCL PSCL 3,8,10,13
- PSDA PSDA 3,8,10,13
- +3V3 +3V3 3

### MT8222 Trapping



### 2nd UART IF LED\_LIGHT\_CONTROL



- GPIO\_3 GPIO\_3 3
- GPIO\_6 GPIO\_6 3,11
- GPIO\_23 GPIO\_23 3
- GPIO\_24 GPIO\_24 3
- GPIO\_25 GPIO\_25 3
- +5V\_ON +5V\_ON
- +5V\_ON +5V\_ON
- +3V3\_ON +3V3\_ON 2,10,11
- +3V3 +3V3 2,3,4,7,12,13
- +5V\_ON +5V\_ON 2
- 5V\_M 5V\_M 2,8,11,13
- GND GND 2,3,4,5,7,8,9,10,11,12,13
- ICE ICE 3
- SPI\_SCK SPI\_SCK 3
- SPI\_SI SPI\_SI 3
- SPI\_SO SPI\_SO 3
- SPI\_CS# SPI\_CS# 3
- AOSDATA0 AOSDATA0 3
- KEY1 KEY1 3
- KEY2 KEY2 3
- ADIN2 ADIN2 3

### Serial Flash

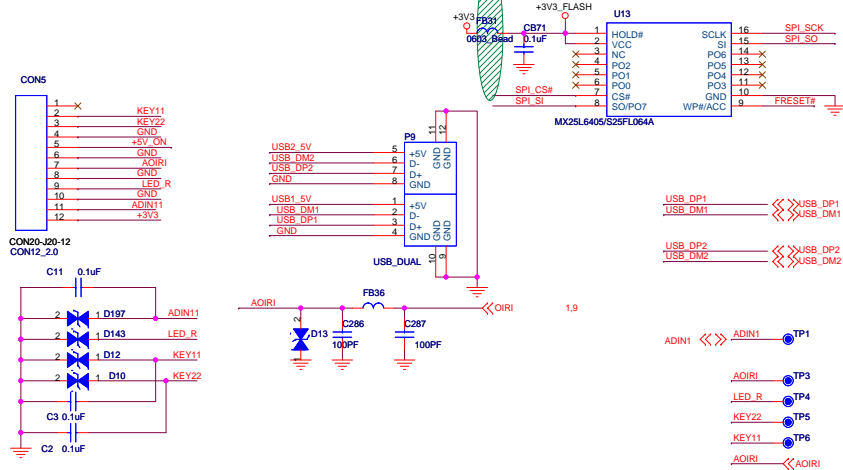
位置尽量靠近8222, 附近若有IO需要串磁珠并且避让, EMC问题

32mbit/16mbit

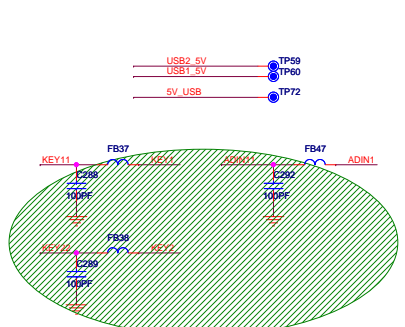
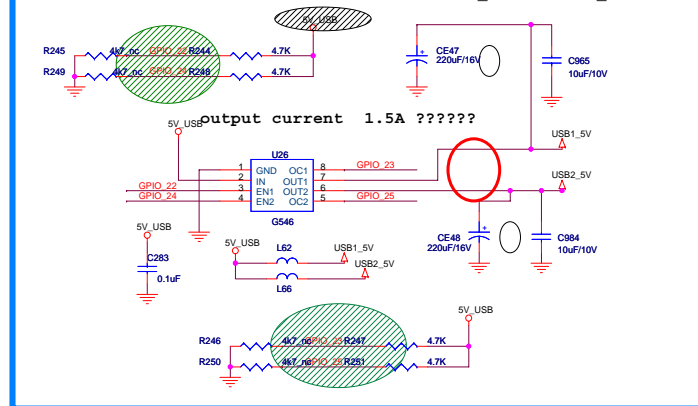


### MEMORY CARD I/F GPIO RESERVED

还需要吗????????

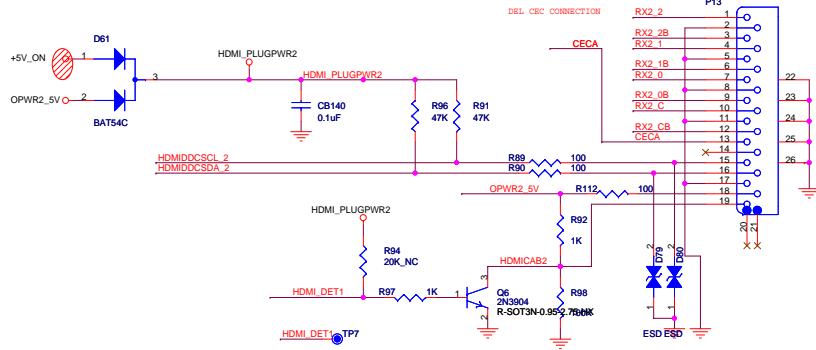


### USB\_OVERCURRENT\_PROCT

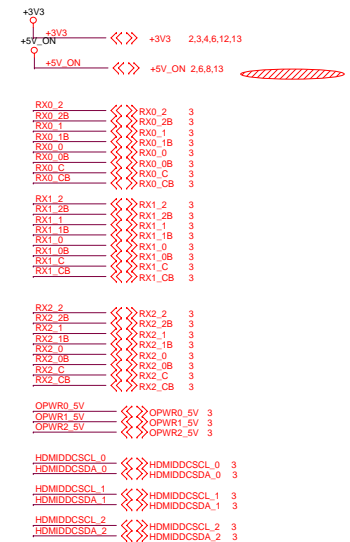
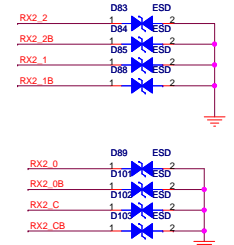


- USB2\_5V USB2\_5V TP69
- USB1\_5V USB1\_5V TP69
- 5V\_USB 5V\_USB TP72

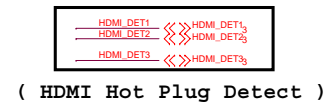
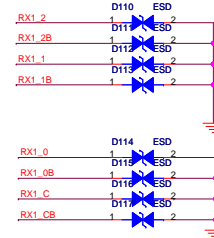
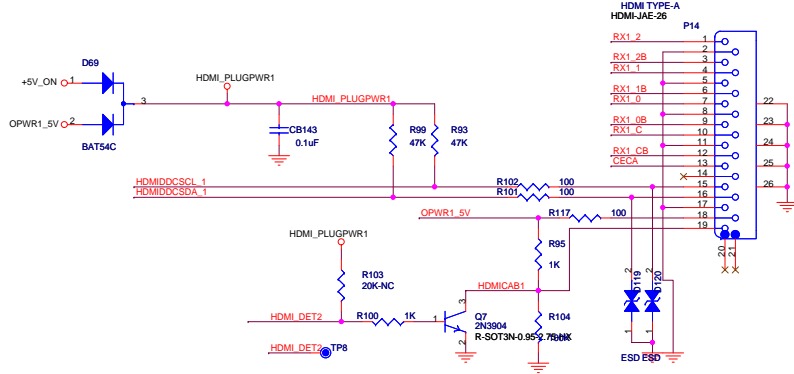
### HDMI port 0



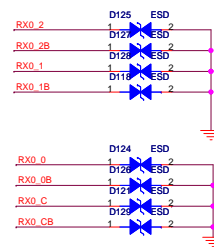
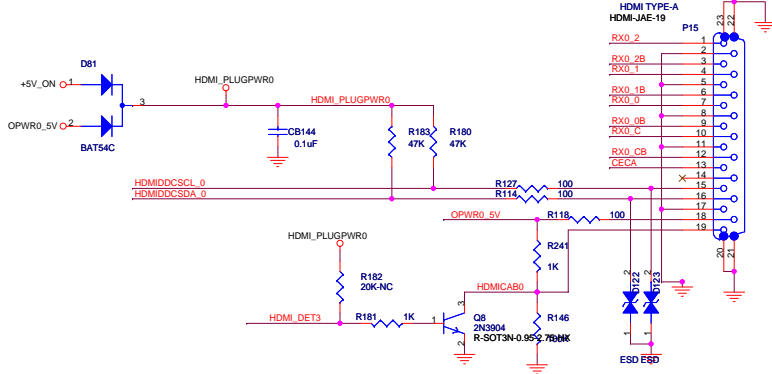
### ESD 1.3 USED



### HDMI port 1

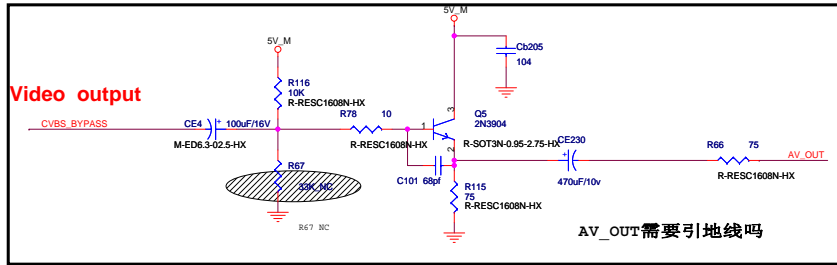
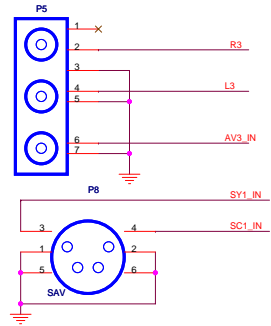
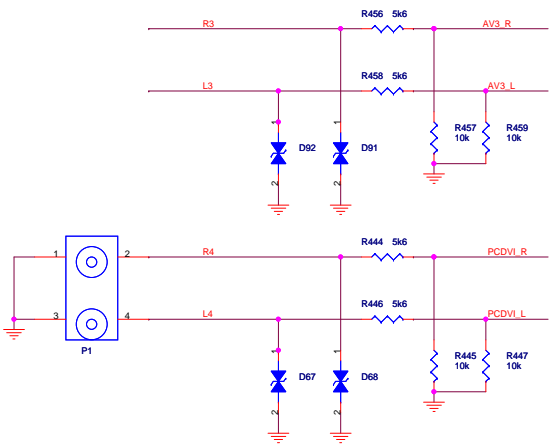


### HDMI port 2

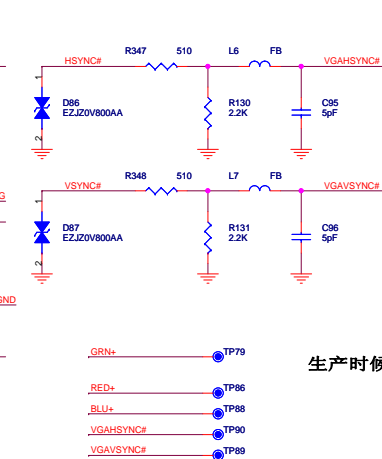
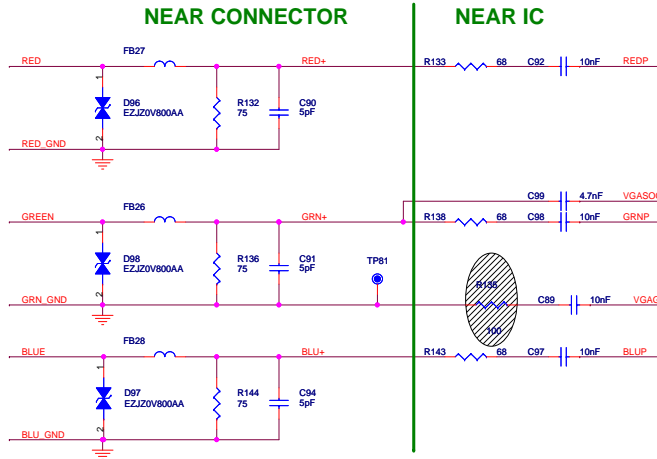
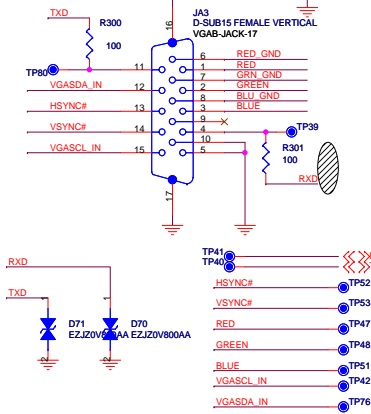


1. B2P供电更改  
2. 各信号上ESD器件更改

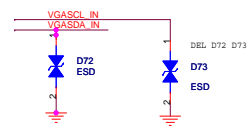
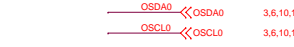
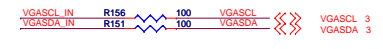
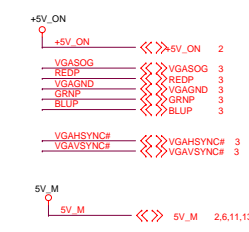
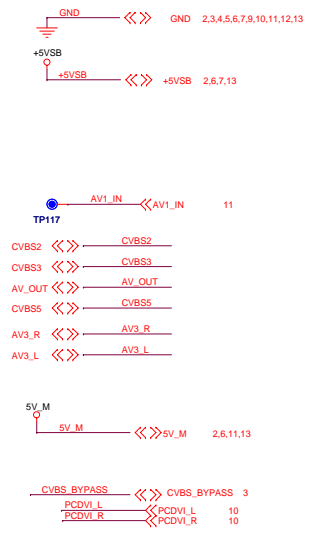
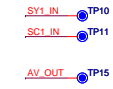
**NEAR CONNECTOR** **NEAR IC**



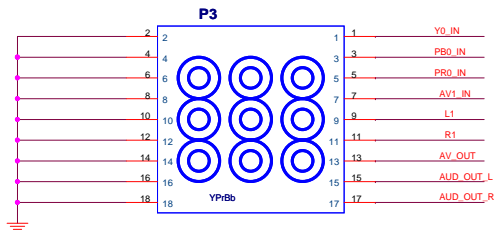
AV\_OUT需要引地线吗



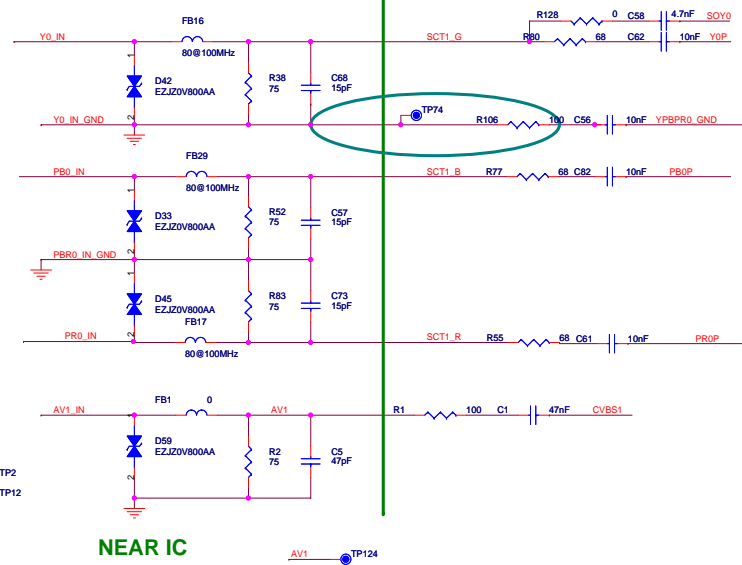
生产时候去掉



**MediaTek Confidential**  
**MediaTek (Shenzhen) Inc.**  
 Title: **CVBS/ S-Video / VGA**  
 Size: Document Number: **MT8222**  
 Date: 2008/1/25  
 Drawn: **Ji.Li.Ni**  
 Sheet: 8 of 13

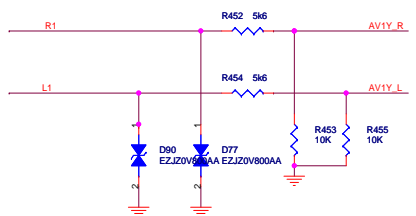


- Y0\_IN TP21
- Y1\_IN TP22
- PB0\_IN TP14
- PB1\_IN TP17
- PR0\_IN TP20
- PR1\_IN TP19



NEAR IC

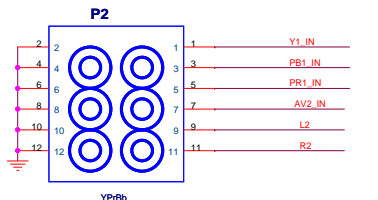
- R1 TP2
- L1 TP12
- AV1 TP124



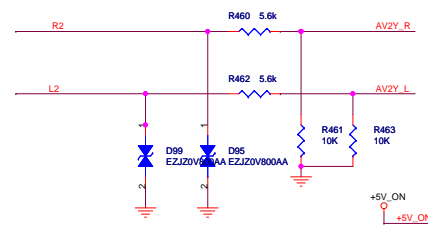
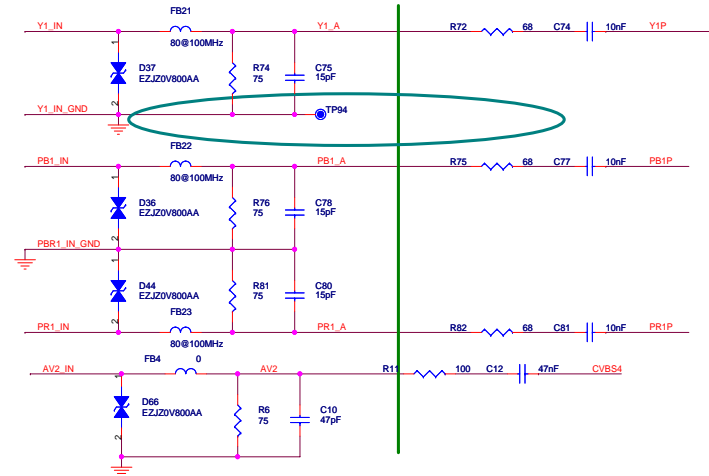
- AV\_OUT <<> AV\_OUT
- AV1\_IN <<> AV1\_IN
- GND <<> GND 2,3,4,5,6,7,8,10,11,12,13
- CVBS1 <<> CVBS1 3
- SOYO <<> SOYO 3
- Y0P <<> Y0P 3
- YPBPRO\_GND <<> YPBPRO\_GND 3
- PB0P <<> PB0P 3
- PR0P <<> PR0P 3
- AV1Y\_R <<> AV1Y\_R 11
- AV1Y\_L <<> AV1Y\_L 11
- CVBS4 <<> CVBS4 3
- CVBS6 <<> CVBS6 3
- CVBS7 <<> CVBS7 3

NEAR CONNECTOR

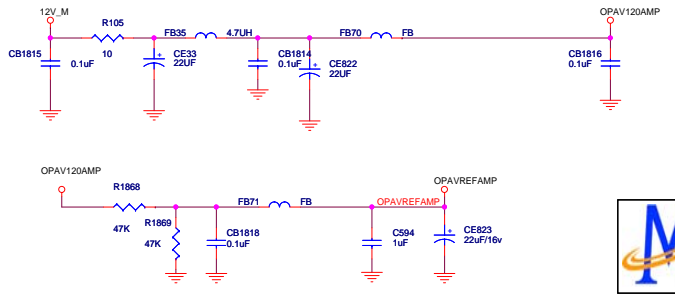
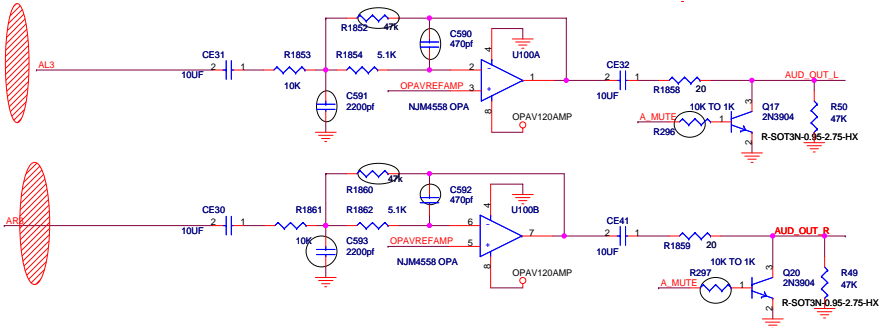
NEAR IC



- AV2\_IN
- TP97 L2
- TP106 R2
- TP107



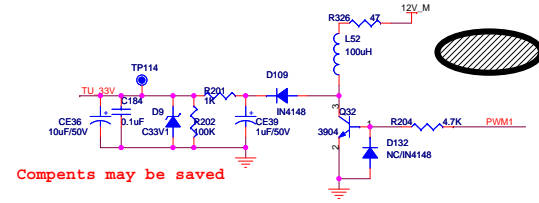
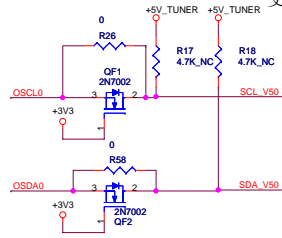
- SCT1\_B TP96
- SCT1\_G TP95
- PB1\_A TP91
- SCT1\_R TP93
- PR1\_A TP92
- Y1\_A TP54
- A\_MUTE TP129
- +5V\_ON <<> +5V\_ON 2
- GND <<> GND 2,3,4,5,6,7,8,10,11,12,13
- A\_MUTE <<> A\_MUTE 3
- Y1P <<> Y1P 3
- PB1P <<> PB1P 3
- PR1P <<> PR1P 3
- AL3 <<> AL3
- AR3 <<> AR3
- AV2Y\_R <<> AV2Y\_R
- AV2Y\_L <<> AV2Y\_L
- 12V\_M <<> 12V\_M 2



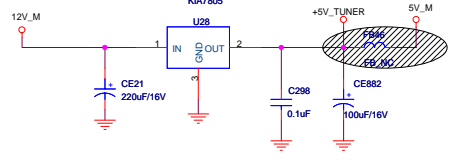
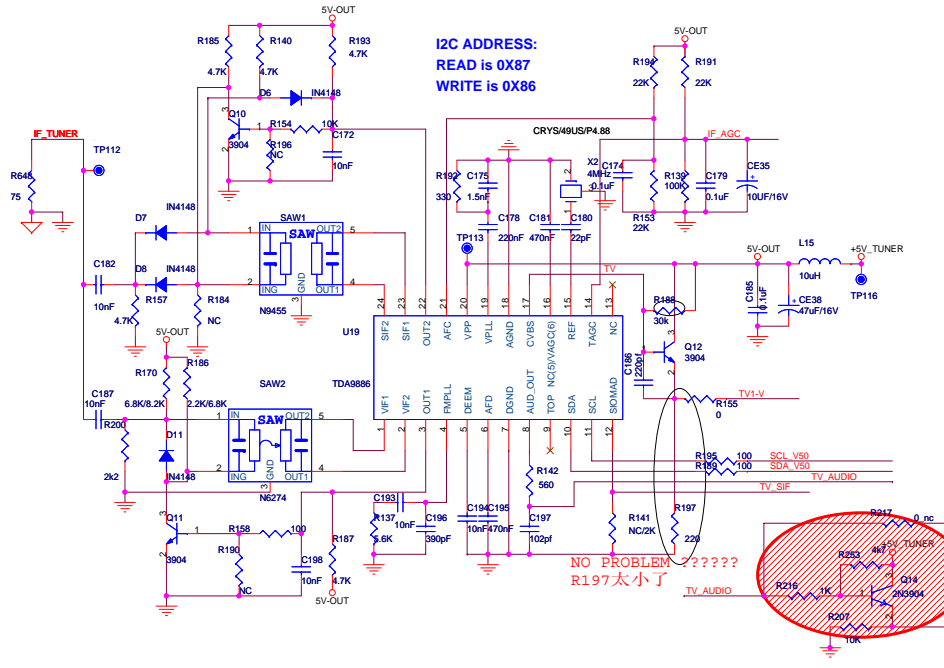
**MediaTek Confidential**

<b>MediaTek (ShenZhen) Inc.</b>		Title <b>YpBPr</b>	
Size C	Document Number <b>MT8222</b>	Drawn Jiu.Ni	Rev 1
Date 2009/1/25		Sheet 9	of 15

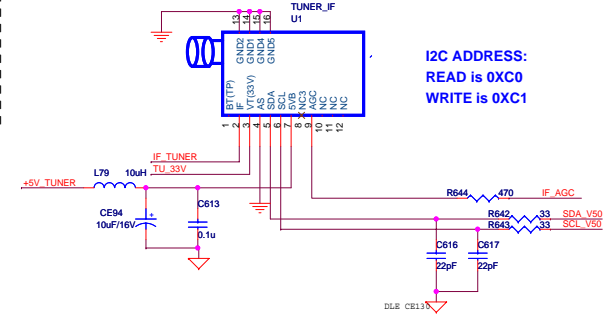
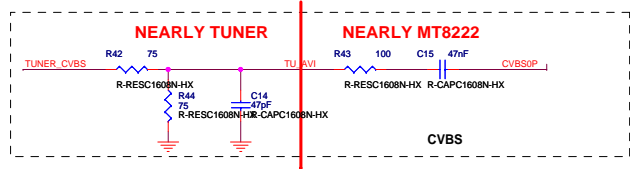




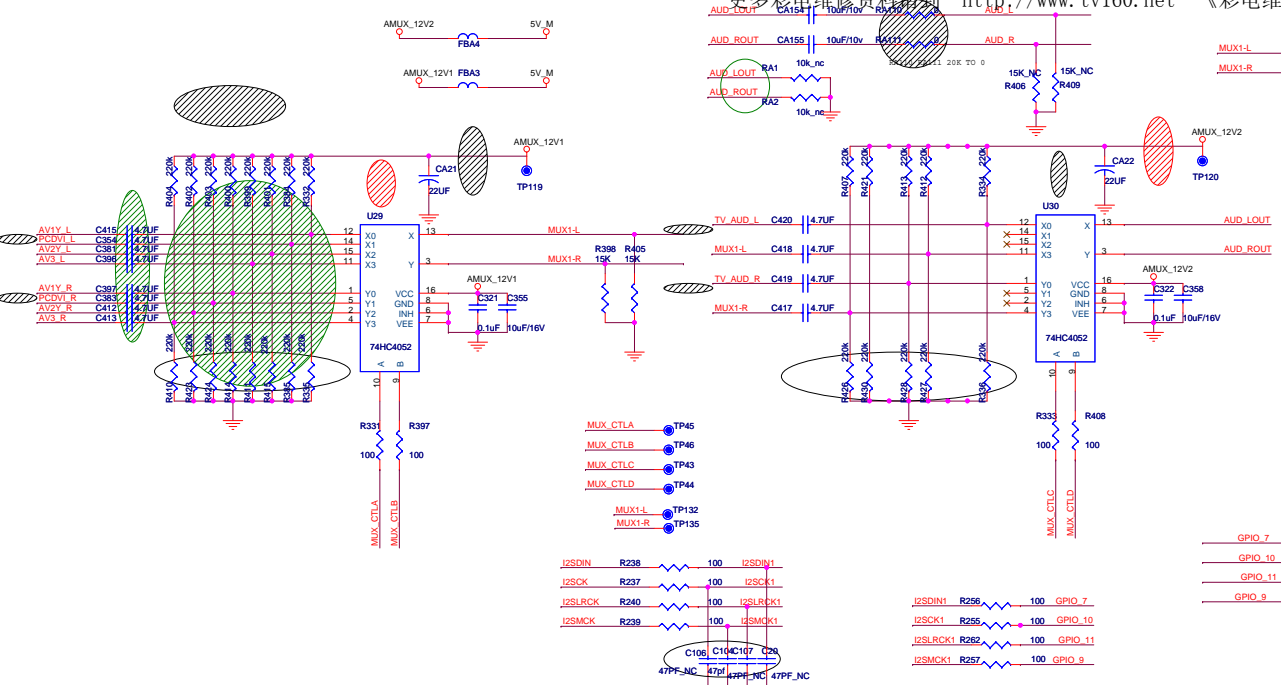
- +3V3 <<>> +3V3 2,6,11
- GND <<>> GND 2,3,4,5,6,7,8,9,11,12,13
- CVBS0N <<>> CVBS0N 3
- MPX2\_P <<>> TP128
- MPX2\_N <<>> TP131
- MPX2\_P <<>> MPX2\_P 3
- MPX2\_N <<>> MPX2\_N 3
- OSCL0 <<>> OSCL0 3,6,8,13
- OSDA0 <<>> OSDA0 3,6,8,13
- 12V\_M <<>> 12V\_M 2,12,13
- 12V\_M <<>> 12V\_M 2,12,13
- 5V\_M <<>> 5V\_M 2,12,13
- 5V\_M <<>> 5V\_M 2,12,13
- PWM1 <<>> PWM1 3
- CVBS0P <<>> CVBS0P 3



- MPPX <<>> MPX1 3
- TV\_SIF <<>> C156 10nF\_NC MPX2\_P
- <<>> C102 10nF\_NC MPX2\_N



- TV\_AUDIO <<>> TP23
- TV\_SIF <<>> TP25
- TU\_AVI <<>> TP61
- SDA\_V50 <<>> TP62
- SCL\_V50 <<>> TP63



PWM3	INT	GPIO_20	GPIO_6	AUDIO OUTPUT
x	x	0	0	TV
x	x	0	1	MIC
x	x	1	0	AV2
x	x	1	1	MUX
0	0	1	1	HD1
0	1	1	1	HD2
1	0	1	1	PDVI
1	1	1	1	AVS1

